

Type: Wear Resistant Submersible mixer
 Application: Prevent the accumulation of solids and floating crusts.

Mixer

Effective area up to 8m
 Impeller diameter 150 mm
 Electrical power in clean water 2.5 kW
 Weight 44 kg

Motor

Mains: 50Hz – 3 phase
 Rated shaft power (P2) 2.2 kW
 Absorbed electrical power (P1) 3.1 kW
 Nominal speed 1450 rpm
 Motor efficiency 71 %
 Power factor (cos phi) 0.89
 Degree of protection IP 68
 Isolation class F (155°C)
 Max. water temperature 40°C
 Standard cable length 10 m



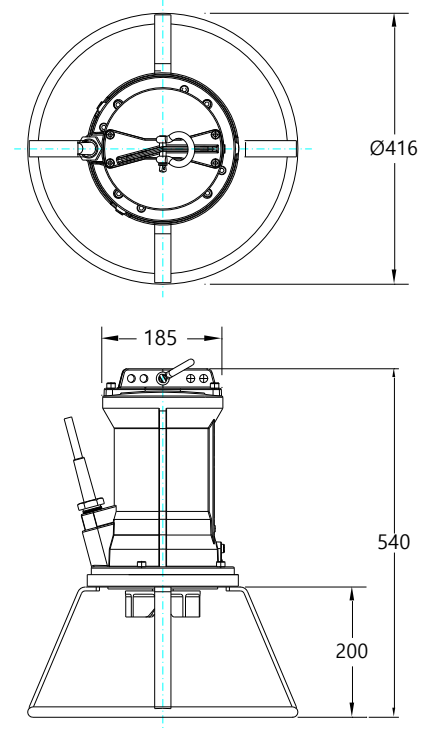
Materials

Impeller Nihard 4 (G-X300CrNiSi 9 5)
 Motor unit parts Cast iron GG 25 (EN-GJL-250)
 Pump shaft AISI 431 (X20 CrNi 17 2)
 Alt: AISI 316 (X5 CrNiMo 17 12 2)
 Pump support Fe 37
 Alt: RVS 316 (X5 CrNiMo 17 12 2)
 Bolts AISI 316 (X5 CrNiMo 17 12 2)
 Rubber parts Nitrile (NBR) or neoprene (CR)
 Alt: viton (FPM)
 Electrical cable Neoprene (CR)
 Seal lubrication Oil
 Seal pump side Silicon carbide – silicon carbide
 Seal motor side Carbon - ceramic
 Coating Two component polyurethane

Optional

- Flameproof version, to class:
 Standard: II 2 G Ex b c d IIB T4 Gb
 With Frequency control: II 2 G Ex b c d IIB T3 Gb
- Thermo switches in motor windings
 (standard for flameproof version)
- Cable protection sheet (AISI316)
- Water detector in motor and oil chamber
 Flameproof version with external cable

Dimensions mm



Connections

| voltage | current | electrical cable size | | motor protection and/or water detector | | flameproof version | |
|--|---------|-----------------------|------------------|--|------------------|--------------------|-----------------------------|
| | | direct start | star-delta start | direct start | star-delta start | direct start | star-delta start |
| [V]* | [A] | | | | | | |
| 230 | 8.7 | 4G1.5 | 7G1.5 | 7G1.5 | 12G1.5 | 7G1.5 | 12G1.5 |
| 400 | 5.0 | 4G1.5 | 7G1.5 | 7G1.5 | 12G1.5 | 7G1.5 | 12G1.5 |
| 500 | 4.0 | 4G1.5 | 7G1.5 | 7G1.5 | 12G1.5 | 7G1.5 | 12G1.5 |
| starting current DOL start : 3.4 x rated current | | | | | | | |
| starting current YD start : 1.1 x rated current | | | | | | | * other voltages on request |