

| | |
|--------------|---|
| Type: | Submersible mixer |
| Application: | Prevent the accumulation of solids and floating crusts. |

Mixer

| | |
|---------------------------------|----------|
| Effective area | up to 6m |
| Impeller diameter | 115mm |
| Electrical power in clean water | 1.8 kW |
| Weight | 43 kg |

Motor

| | |
|--------------------------------|----------------|
| Mains: | 50Hz – 3 phase |
| Rated shaft power (P2) | 1.5 kW |
| Absorbed electrical power (P1) | 2.1 kW |
| Nominal speed | 1420 rpm |
| Motor efficiency | 71 % |
| Power factor (cos phi) | 0.84 |
| Degree of protection | IP 68 |
| Isolation class | F (155°C) |
| Max. water temperature | 40°C |
| Standard cable length | 10 m |



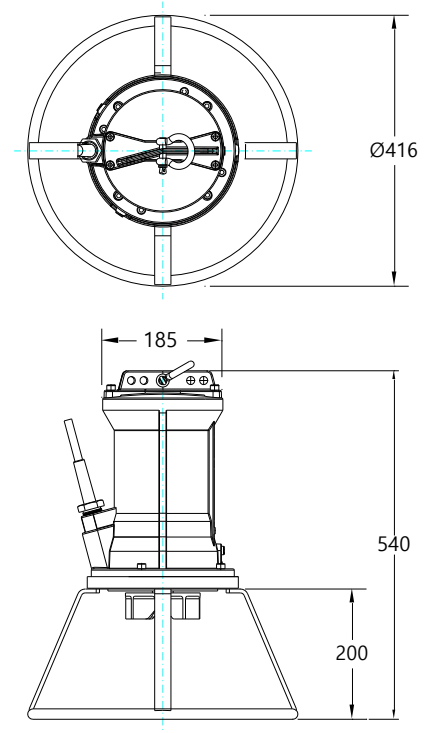
Materials

| | |
|------------------|---|
| Impeller | S.g cast iron GGG 40 (EN-GJS-400-15) |
| Motor unit parts | Cast iron GG 25 (EN-GJL-250) |
| Pump shaft | AISI 431 (X20 CrNi 17 2) Alt: AISI 316 (X5 CrNiMo 17 12 2) |
| Pump support | Fe 37 Alt: RVS 316 (X5 CrNiMo 17 12 2) |
| Bolts | AISI 316 (X5 CrNiMo 17 12 2) |
| Rubber parts | Nitrile (NBR) or neoprene (CR) Alt: viton (FPM) |
| Electrical cable | Neoprene (CR) |
| Seal lubrication | Oil |
| Seal pump side | Silicon carbide – silicon carbide |
| Seal motor side | Carbon - ceramic |
| Coating | Two component polyurethane |

Optional

- Flameproof version, to class: II 2 G Ex d IIB c T4
Standard: II 2 G Ex b c d IIB T4 Gb
With Frequency control: II 2 G Ex b c d IIB T3 Gb
- Thermo switches in motor windings (standard for flameproof version)
- Cable protection sheet (AISI316)
- Water detector in motor en oil chamber
Flameproof version with external cable

Dimensions mm



Connections

| voltage | current | electrical cable size | | motor protection and/or water detector | | flameproof version | | |
|--|---------|-----------------------|--|--|--|--------------------|-----------------------------|--|
| | | direct start | | direct start | | direct start | | |
| 230 | 6.3 | 4G1.5 | | 7G1.5 | | 7G1.5 | | |
| 400 | 3.6 | 4G1.5 | | 7G1.5 | | 7G1.5 | | |
| 500 | 2.9 | 4G1.5 | | 7G1.5 | | 7G1.5 | | |
| starting current DOL start : 4.8 x rated current | | | | | | | | |
| | | | | | | | * other voltages on request | |