

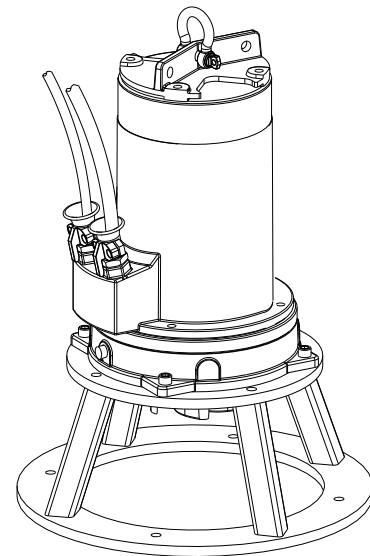
Type: Submersible mixer  
 Application: Prevent the accumulation of solids and floating crusts.

## Mixer

Effective area up to Ø18m  
 Impeller diameter 230  
 Electrical power in clean water 13.5 kW  
 Weight 102 kg

## Motor

Mains: 50Hz – 3 phase  
 Rated shaft power (P2) 13.0 kW  
 Absorbed electrical power (P1) 15.1 kW  
 Nominal speed 1420 rpm  
 Motor efficiency 86 %  
 Power factor (cos phi) 0.84  
 Degree of protection IP 68  
 Isolation class F (155°C)  
 Max. water temperature 40°C  
 Standard cable length 10 m

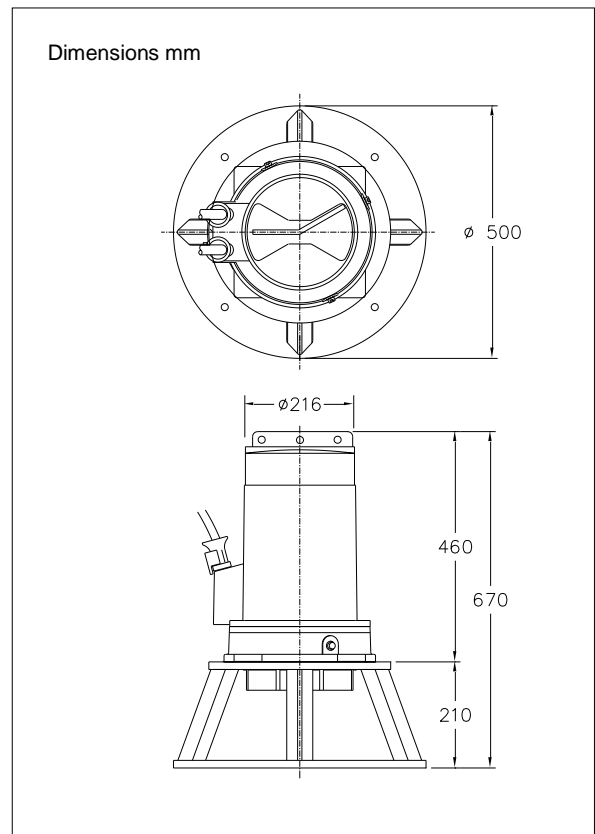


## Materials

Impeller AISI 329  
 Motor unit parts AISI 329  
 Pump shaft AISI 316  
 Pump support AISI 316  
 Bolts AISI 316  
 Rubber parts Viton (FPM)  
 Electrical cable Neoprene (CR)  
 Seal lubrication Oil  
 Seal pump side Silicon carbide – silicon carbide-Viton  
 Seal motor side Carbon - ceramic

## Optional

- Flameproof version, to class:  
 Standard: II 2 G Ex b c d IIB T4 Gb  
 With Frequency control: II 2 G Ex b c d IIB T3 Gb
- Thermoswitches in motor windings  
 (standard for flameproof version)
- Cable protection sheet (AISI316)
- Water detector in motor and oil chamber  
 Flameproof version with external cable



## Connections

		electrical cable size		motor protection and/or water detector		flameproof version	
voltage	current	directe start	ster-driehoek start	directe start	ster-driehoek start	directe start	ster-driehoek start
[V]*	[A]						
230	45.4	4G10	2x4G6	4G10 + 4G1.5	-	4G10 + 4G2.5	-
400	26.1	4G6	7G1.5	4G6 + 4G1.5	7G2.5 + 4G1.5	4G6 + 4G2.5	7G2.5 + 4G2.5
500	20.9	4G6	7G1.5	4G6 + 4G1.5	10G1.5	4G6 + 4G2.5	10G1.5
starting current DOL start : 5.0 x rated current							
starting current YD start : 1.7 x rated current						* other voltages on request	